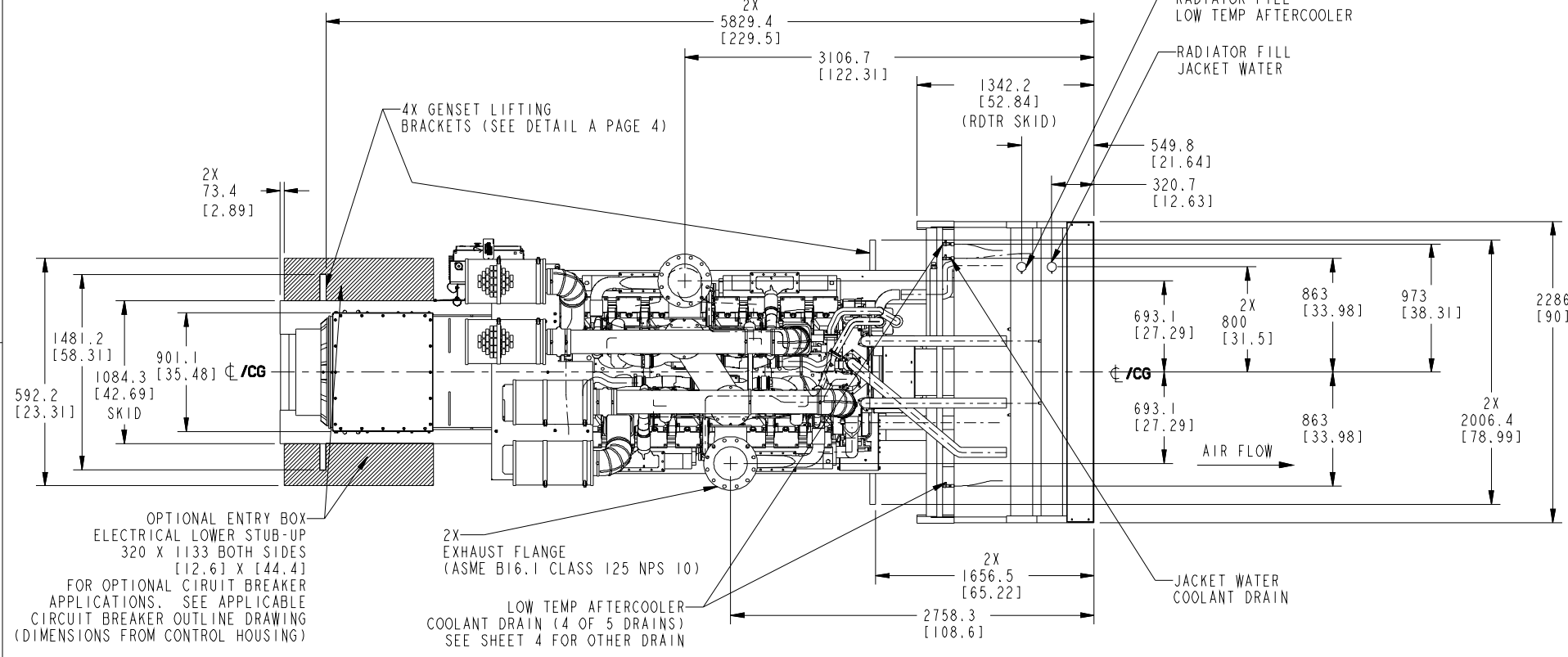


REL NO	LTR	NO	REVISION	ZONE	DR	CHKR	APPROVED	DATE
FRD19167	A	1	PRODUCTION RELEASE	--	MTA	BH	HENNING	01-15-04
FRD20897	B	1	SEE SHEET 6	--	GWH	BH	HENNING	07-21-04
		2	SEE SHEET 7	--	GWH	BH	HENNING	07-21-04
FRD20842	C	1	SEE SHEET 2	--	LDH	LH	HENNING	08-02-04



NOTE:

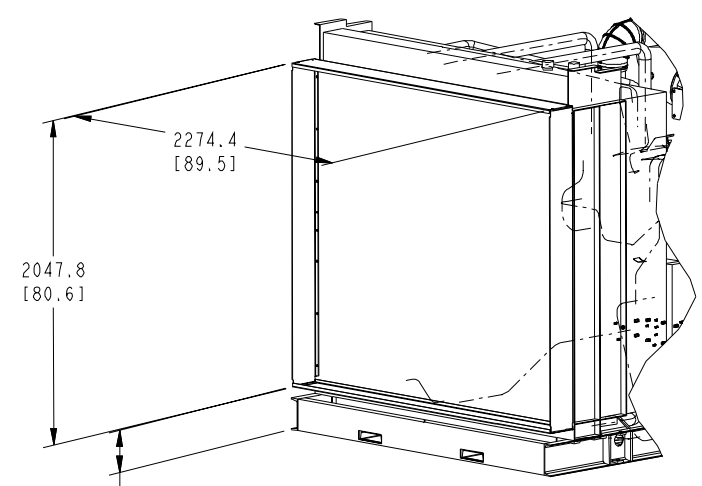
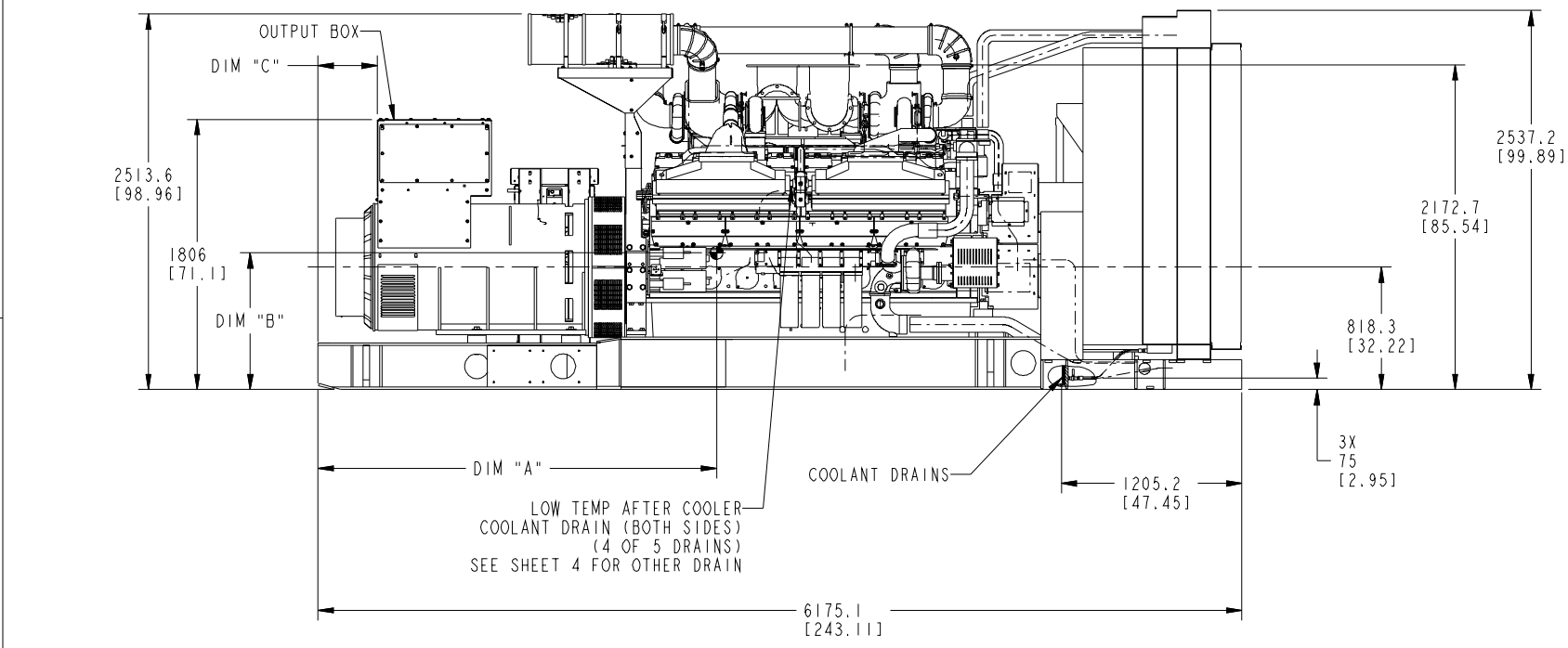
1. DIMENSIONS SHOWN IN [] BRACKETS ARE INCHES.
2. DO NOT ATTACH SOLID CONDUIT TO CONTROL BOX.
4. GENSET SHIPPED FILLED WITH ENGINE OIL.

TABULATION OIL SUMP (69 U.S. GALLONS)

GEN. FRAME SIZE	DIM "A" C.G.	DIM "B" C.G.	DIM "C"	GENSET WEIGHT	
				KGS	LBS
P7D	3036 [119.5]	910 [35.8]	480 [18.9]	14630	32254
P7E	2999 [118.1]	908 [35.8]	480 [18.9]	14868	32779
P7F	2961 [116.6]	906 [35.7]	395 [15]	15152	33405
P7G	2931 [115.4]	905 [35.6]	395 [15]	15366	33877
MV7G	3002 [118.2]	909 [35.8]	558 [22]	14762	32545
MV7H	2954 [116.3]	907 [35.7]	558 [22]	15093	33273

TABULATION OIL SUMP (100 U.S. GALLONS)

GEN. FRAME SIZE	DIM "A" C.G.	DIM "B" C.G.	DIM "C"	GENSET WEIGHT	
				KGS	LBS
P7D	3030 [119.3]	903 [35.5]	480 [18.9]	14774	32571
P7E	2993 [117.8]	902 [35.5]	480 [18.9]	15012	33096
P7F	2956 [116.4]	900 [35.4]	395 [15]	15296	33722
P7G	2927 [115.2]	899 [35.4]	395 [15]	15510	34194
MV7G	2996 [118.0]	902 [35.5]	558 [22]	14906	32862
MV7H	2949 [116.1]	900 [35.4]	558 [22]	15236	33590



DUCT ADAPTER DIMENSIONS

RADIATOR COOLED (40C) P7 ALTERNATOR

TOLERANCE UNLESS OTHERWISE SPECIFIED		DIM TO		DATE		CUMMINS POWER GENERATION	
IN	MIL	FINISH	PROJECTION	NAME	DATE	DATE	MINNEAPOLIS, MINNESOTA 55432
0.004	0.004	0.004	0.004	M.T. ABEL	01-15-04	01-15-04	CUMMINS POWER GENERATION MINNEAPOLIS, MINNESOTA 55432
0.008	0.008	0.008	0.008	B. HENNING	01-15-04	01-15-04	
0.015	0.015	0.015	0.015	B. HENNING	01-15-04	01-15-04	
DO NOT SCALE PRINT				APPROVED BY: B. HENNING		SITE CODE: PGA	
ANG TOL ± 1.0				FOR INTERPRETATION OF DIMENSIONS AND TOLERANCES, SEE ANG 17.2, SM-1982		TITLE: GENSET_OUTLINE	
DRAWN TO 3/64 SCALE OF				DQKB, KC, KD		SHEET 1 OF 7	
				Dwg No: 0500_3947		Dwg Title: GENSET_OUTLINE	